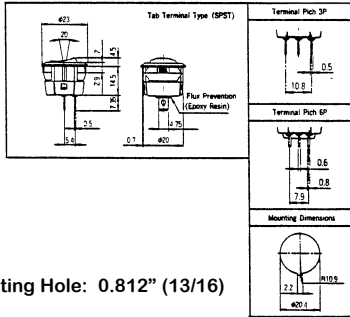


SWITCHES ROCKER

ROCKER SWITCHES



Mounting Hole: 0.812" (13/16)



SPECIFICATIONS:

Current Rating:	5A @ 125V AC, 3A @ 250V AC
Initial Contact Resistance:	DC 2.5V-1A, 20 Meg ohm (Max.)
Insulation Resistance:	500V DC 100 Meg ohm (Min.)
Dielectric Strength:	1500V AC for 1 minute
Contact Material:	Copper - Silver Plate
Terminal Material:	Copper - Silver Plate
Terminal Type:	Solder

Part No.	Type	Action			Actuator
30-10055	SPDT	ON	-	ON	Red Nylon
30-10056	DPST	ON	-	OFF	Red Nylon
30-10058	DPDT	ON	-	ON	Red Nylon
30-10059	SPST	ON	-	OFF	Black Nylon w/ LED

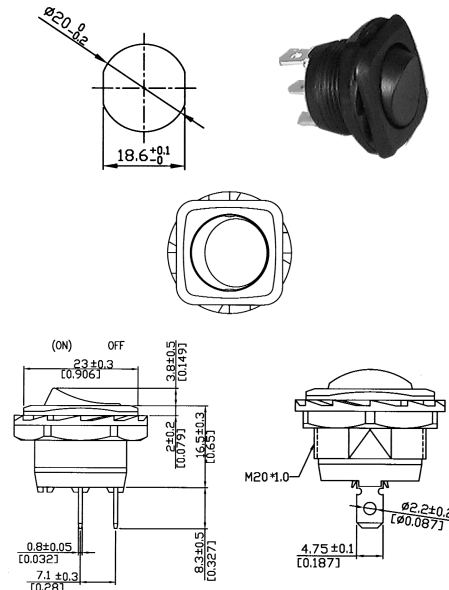
SQUARE BEZEL NUT MOUNTED ROUND ROCKER SWITCHES

Current Rating:	6A 250VAC, 10A 125VAC
Initial Contact Resistance:	<50Meg Ohms @12VDC
Insulation Resistance:	>100Meg Ohms
Dielectric Strength (Open Contacts):	>1500V for 1 minute
Contact Material:	Silver Plated Brass
Terminal Material:	Copper Alloy
Body Material:	Nylon (UL 94V-2)
Actuator & Bezel:	Nylon (UL 94V-2)
Terminal Type:	.187" Quick Connect
Mounting Hardware:	M20-P1.0

Part No.	Type	Action	Actuator
30-16200	SPST	On-Off	Bi-Color Actuator
30-16220	SPST	(On)-Off	Black Actuator
30-16260	SPST	On-(Off)	Black Actuator
30-16330	SPDT	On-(On)	Black Actuator
30-16340	SPDT	On-Off-(On)	Black Actuator
30-16210	SPDT	On-On	Black Actuator
30-16215	SPDT	On-Off-On	Black Actuator
30-16360	SPDT	(On)-Off-(On)	Black Actuator



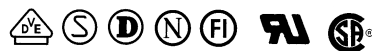
Panel Cut-out: 20.2mm (.79")
Maximum Panel thickness 6.0 mm
() = Momentary



LIGHTED, SQUARE BEZEL NUT MOUNTED ROUND ROCKER SWITCHES

Current Rating:	6A 250VAC, 10A 125VAC
Initial Contact Resistance:	<50Meg Ohms @12VDC
Insulation Resistance:	>100Meg Ohms
Dielectric Strength (Open Contacts):	>1500V for 1 minute
Contact Material:	Silver Plated Brass
Terminal Material:	Copper Alloy
Body Material:	Nylon (UL 94V-2)
Actuator & Bezel:	Nylon (UL 94V-2)
Terminal Type:	.187" Quick Connect
Lamp Voltage:	AC= 110V neon, DC= LED 2V *@20ma (*resistor needed for other voltages)
Mounting Hardware:	M20-P 1.0

Part No.	Type	Action	Lamp / Actuator Color
30-16402	SPST	On-Off	AC Lamp, Red
30-16404	SPST	On-Off	AC Lamp, Amber
30-16405	SPST	On-Off	AC Lamp, Green
30-16422	SPST	On-Off	DC Lamp, Red
30-16423	SPST	On-Off	DC Lamp, Amber
30-16425	SPST	On-Off	DC Lamp, Green
30-16426	SPST	On-Off	DC Lamp, Blue



Panel Cut-out: 20.2mm (.79")
Maximum Panel thickness 6.0 mm

